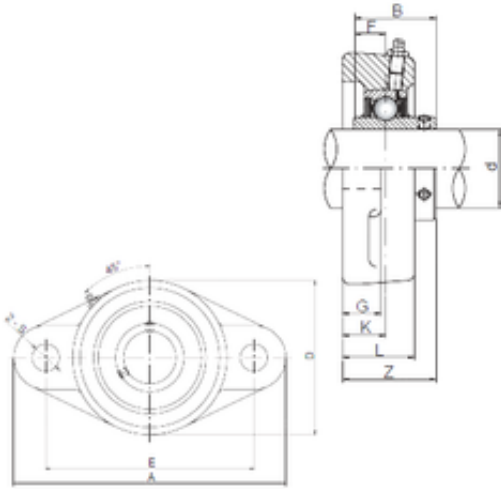


65 mm x 175 mm x 75 mm ISO UCFL313 Bearing unit

Bearing No. UCFL313



UCFL313 Bearing 2D drawings and 3D CAD models

Bore Diameter	65 mm
d	65 mm
B	75 mm
Z	78 mm
A	295 mm
D	175 mm
E	240 mm
F	30 mm
G	25 mm
K	33 mm
L	58 mm
S	31 mm
Bolt (G)	M27